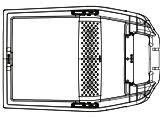
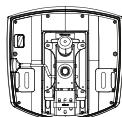


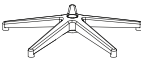
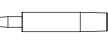
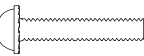
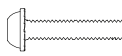
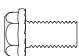










Tools Required

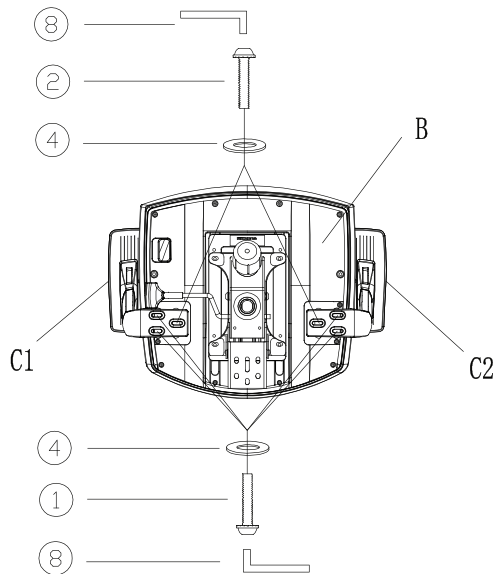
Allen key provided.
No additional tools required.

Parts Included

- | | | | | | |
|---|---|---|---|---|--|
| A

1 pcs | B

1 pcs | C1
 | C2
 | D

1 pcs | E

1 pcs |
| 1

M6*45mm 4pcs | 2

M6*40mm 2pcs | 3

M8*20mm 3pcs | 4

M6*16*2 6pcs | 5

M8*13*2 3pcs | F

5 pcs |
| 6

M8*20*2 3pcs | 7

4mm 1pcs | 8

5mm 1pcs | | | |

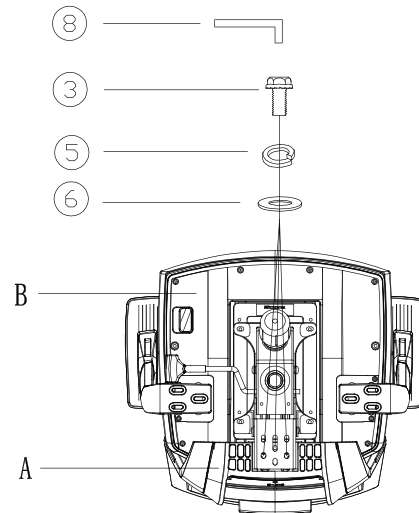
Step 1

Attach the armrests (C1 and C2) to the seat base (B) using screws (1 & 2) and washers (4). Tighten them securely with the Allen keys (8).



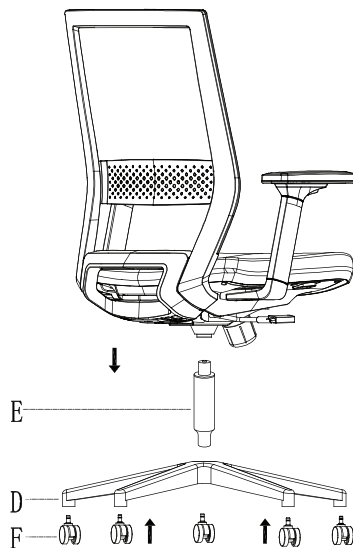
Step 2

Attach the back frame (A) to the seat base (B) using screws (3), washers (5 & 6), and tighten with the Allen key (8).



Step 3

Insert the casters (F) into the base (D), then place the gaslift (E) into the center of the base. Finally, place the seat mounted on the gaslift.



Step 4

Your chair is now fully assembled and ready to use. Make sure all parts are securely tightened before sitting.

